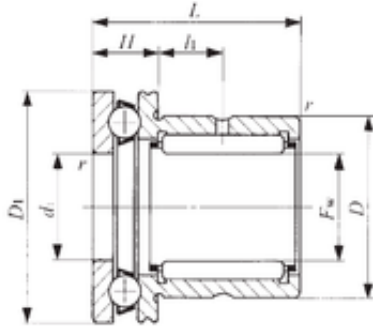




Bearing equipment manufacturing Co., Ltd

IKO NAX 2030Z complex bearings



NAX 2030Z Bearing 2D drawings and 3D CAD models

Bearing No. NAX 2030Z

Bore Diameter	20 mm
Outer Diameter	30 mm
Fw	20 mm
D	30 mm
D1	35 mm
D2	36 mm
d1	20 mm
r min.	0,3 mm
H	10 mm
L	30 mm
L1	10,5 mm
da min.	29 mm
Weight	0,089 Kg
Dynamic load rating radial (C)	17,6 kN
Dynamic load rating axial (C)	14,2 kN
Static load rating radial (C0)	25,4 kN
Static load rating axial (C0)	19,7 kN