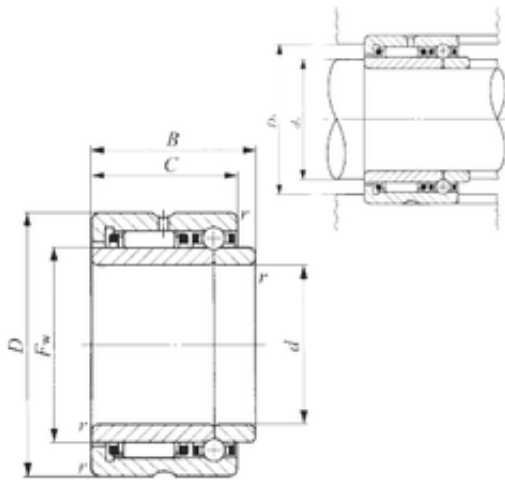




Bearing equipment manufacturing Co., Ltd



NATB 5904 Bearing 2D drawings and 3D CAD models

20 mm x 37 mm x 25 mm IKO NATB 5904
complex bearings

Bearing No. NATB 5904

Size	20x37x25 mm
Bore Diameter	20 mm
Outer Diameter	37 mm
Width	25 mm
d	20 mm
Fw	25 mm
D	37 mm
B	25 mm
C	23 mm
r min.	0,3 mm
da min.	22 mm
Da max.	35 mm
Weight	0,115 Kg
Dynamic load rating radial (C)	14,3 kN
Dynamic load rating axial (C)	3,81 kN
Static load rating radial (C0)	18,4 kN
Static load rating axial (C0)	6,11 kN