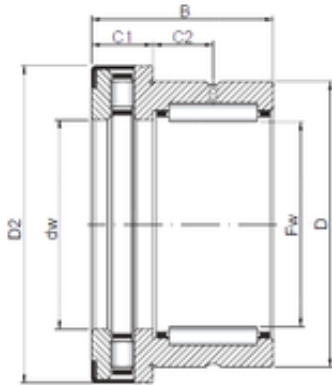




Bearing equipment manufacturing Co., Ltd



20 mm x 30 mm x 30 mm ISO NKXR 20 Z
complex bearings

Bearing No. NKXR 20 Z

Size	20x30x30 mm
Bore Diameter	20 mm
Outer Diameter	30 mm
Width	30 mm
d	20 mm
Fw	20 mm
D	30 mm
B	30 mm
C1	10 mm
D2	36,2 mm
C2	10,5 mm

NKXR 20 Z Bearing 2D drawings and 3D CAD models