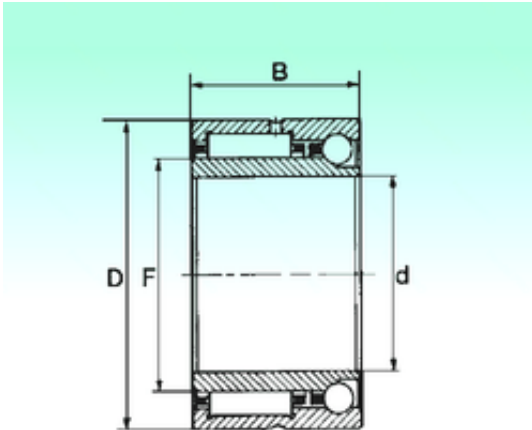




Bearing equipment manufacturing Co., Ltd



NKIA 5914 Bearing 2D drawings and 3D CAD models

70 mm x 100 mm x 40 mm NBS NKIA 5914
complex bearings

Bearing No. NKIA 5914

Size	70x100x40 mm
Bore Diameter	70 mm
Outer Diameter	100 mm
Width	40 mm
d	70 mm
F	80 mm
D	100 mm
B	40 mm
C	40 mm
Weight	0,98 Kg
Dynamic load rating radial (C)	79,8 kN
Dynamic load rating axial (C)	12,825 kN
Static load rating radial (C0)	148,2 kN
Static load rating axial (C0)	27,55 kN