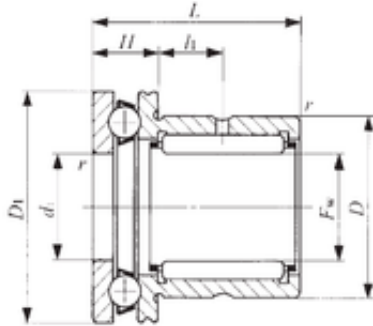




Bearing equipment manufacturing Co., Ltd

IKO NAX 7040 complex bearings



Bearing No. NAX 7040

Bore Diameter	70 mm
Outer Diameter	85 mm
Fw	70 mm
D	85 mm
D1	95 mm
d1	70 mm
r min.	1 mm
H	18 mm
L	40 mm
L1	11 mm
da min.	85 mm
Weight	0,555 Kg
Dynamic load rating radial (C)	55,5 kN
Dynamic load rating axial (C)	43,1 kN
Static load rating radial (C0)	120 kN
Static load rating axial (C0)	101 kN

NAX 7040 Bearing 2D drawings and 3D CAD models