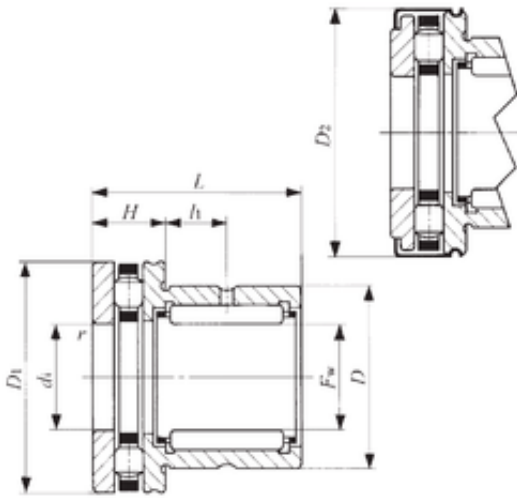




Bearing equipment manufacturing Co., Ltd



NBX 3030Z Bearing 2D drawings and 3D CAD models

IKO NBX 3030Z complex bearings

Bearing No. NBX 3030Z

Bore Diameter	30 mm
Outer Diameter	42 mm
Fw	30 mm
D	42 mm
D1	47 mm
D2	48 mm
d1	30 mm
r min.	0,6 mm
H	11 mm
L	30 mm
L1	9,5 mm
da min.	45 mm
Weight	0,166 Kg
Dynamic load rating radial (C)	25,1 kN
Dynamic load rating axial (C)	27,4 kN
Static load rating radial (C0)	40,1 kN
Static load rating axial (C0)	81 kN