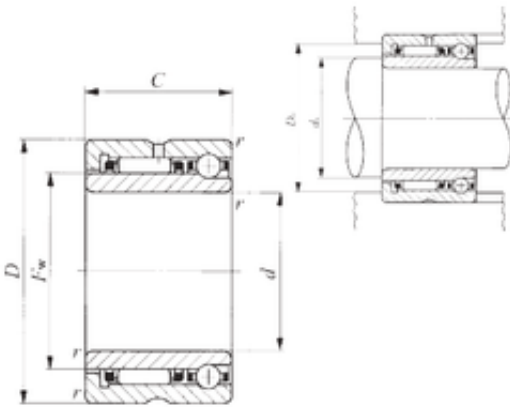




## Bearing equipment manufacturing Co., Ltd

20 mm x 37 mm x 23 mm IKO NATA 5904  
complex bearings

Bearing No. NATA 5904



NATA 5904 Bearing 2D drawings and 3D CAD models

Size	20x37x23 mm
Bore Diameter	20 mm
Outer Diameter	37 mm
Width	23 mm
d	20 mm
Fw	25 mm
D	37 mm
B	23 mm
C	23 mm
r min.	0,3 mm
da min.	22 mm
Da max.	35 mm
Weight	0,111 Kg
Dynamic load rating radial (C)	14,3 kN
Dynamic load rating axial (C)	3,81 kN
Static load rating radial (C0)	18,4 kN
Static load rating axial (C0)	6,11 kN