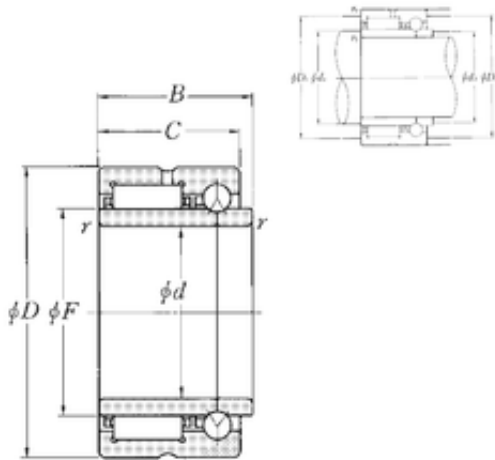




Bearing equipment manufacturing Co., Ltd

40 mm x 62 mm x 34 mm NTN NKIB5908R complex bearings



Bearing No. NKIB5908R

Size	40x62x34 mm
Bore Diameter	40 mm
Outer Diameter	62 mm
Width	34 mm
d	40 mm
F	48 mm
D	62 mm
B	34 mm
C	30 mm
r min.	0,6 mm
da min.	45 mm
Da max.	57 mm
ra max.	0,6 mm
Weight	0,32 Kg
Dynamic load rating radial (C)	43,5 kN
Dynamic load rating axial (C)	8,7 kN
Static load rating radial (C0)	66,5 kN
Static load rating axial (C0)	19,4 kN
(Grease) Lubrication Speed	5500 r/min

NKIB5908R Bearing 2D drawings and 3D CAD models