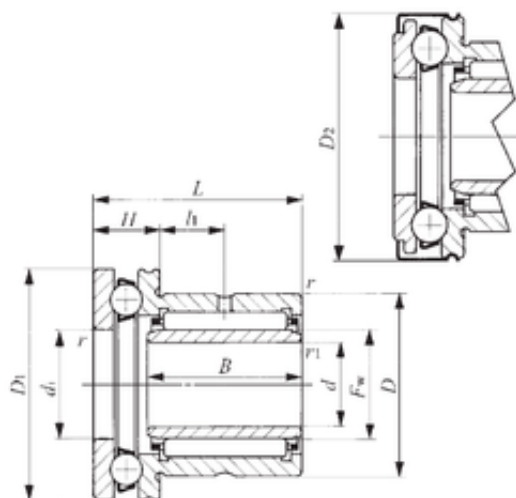




Bearing equipment manufacturing Co., Ltd



35 mm x 52 mm x 20 mm IKO NAXI 3532Z
complex bearings

Bearing No. NAXI 3532Z

Bore Diameter	35 mm
Outer Diameter	52 mm
d	35 mm
Fw	40 mm
D	52 mm
D1	60 mm
D2	61 mm
B	20 mm
d1	40 mm
r min.	0,6 mm
r1 min.	0,3 mm
H	13 mm
L	32 mm
L1	10 mm
da min.	52 mm
db	39 mm
Weight	0,273 Kg
Dynamic load rating radial (C)	29,4 kN
Dynamic load rating axial (C)	26,9 kN
Static load rating radial (C0)	54,1 kN
Static load rating axial (C0)	50 kN

NAXI 3532Z Bearing 2D drawings and 3D CAD models