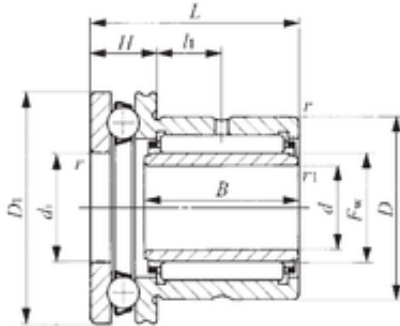




## Bearing equipment manufacturing Co., Ltd

40 mm x 58 mm x 20 mm IKO NAXI 4032  
complex bearings



Bearing No. NAXI 4032

NAXI 4032 Bearing 2D drawings and 3D CAD models

Bore Diameter	40 mm
Outer Diameter	58 mm
d	40 mm
Fw	45 mm
D	58 mm
D1	65 mm
B	20 mm
d1	45 mm
r min.	0,6 mm
r1 min.	0,3 mm
H	14 mm
L	32 mm
L1	9 mm
da min.	57 mm
db	44 mm
Weight	0,315 Kg
Dynamic load rating radial (C)	31 kN
Dynamic load rating axial (C)	27,9 kN
Static load rating radial (C0)	60,2 kN
Static load rating axial (C0)	55,1 kN
Category	Bearings
Inventory	0.0
Manufacturer Name	IKO
Minimum Buy Quantity	N/A



## Bearing equipment manufacturing Co., Ltd

Weight / Kilogram	0
Product Group	B04144