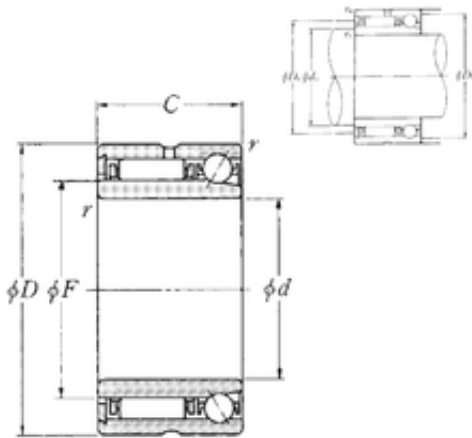




## Bearing equipment manufacturing Co., Ltd

### 30 mm x 47 mm x 23 mm NTN NKIA5906 complex bearings

Bearing No. NKIA5906



NKIA5906 Bearing 2D drawings and 3D CAD models

Size	30x47x23 mm
Bore Diameter	30 mm
Outer Diameter	47 mm
Width	23 mm
d	30 mm
F	35 mm
D	47 mm
B	23 mm
C	23 mm
r min.	0,3 mm
da min.	32,5 mm
Da max.	38 mm
ra max.	0,3 mm
Db max	44,5 mm
Weight	0,147 Kg
Dynamic load rating radial (C)	19,4 kN
Dynamic load rating axial (C)	5,4 kN
Static load rating radial (C0)	30,5 kN
Static load rating axial (C0)	8,55 kN
(Grease) Lubrication Speed	7500 r/min