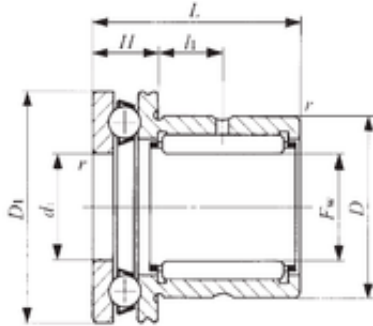




Bearing equipment manufacturing Co., Ltd

IKO NAX 1023Z complex bearings



Bearing No. NAX 1023Z

Bore Diameter	10 mm
Outer Diameter	19 mm
Fw	10 mm
D	19 mm
D1	24 mm
D2	25 mm
d1	10 mm
r min.	0,3 mm
H	9 mm
L	23 mm
L1	6,5 mm
da min.	18 mm
Weight	0,04 Kg
Dynamic load rating radial (C)	8,23 kN
Dynamic load rating axial (C)	10 kN
Static load rating radial (C0)	9,19 kN
Static load rating axial (C0)	11,1 kN

NAX 1023Z Bearing 2D drawings and 3D CAD models