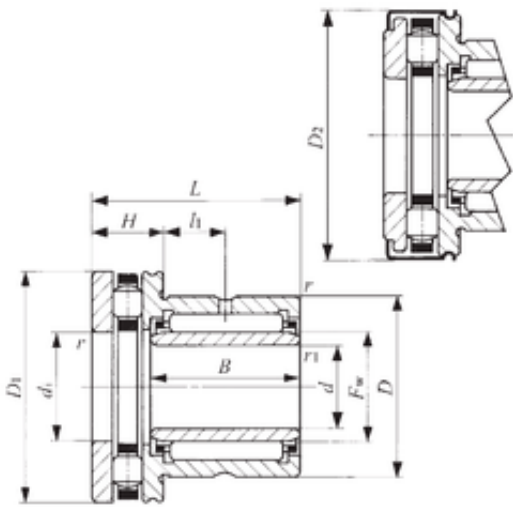




Bearing equipment manufacturing Co., Ltd

45 mm x 62 mm x 25 mm IKO NBXI 4535Z
complex bearings

Bearing No. NBXI 4535Z



NBXI 4535Z Bearing 2D drawings and 3D CAD models

Bore Diameter	45 mm
Outer Diameter	62 mm
d	45 mm
Fw	50 mm
D	62 mm
D1	70 mm
D2	71,5 mm
B	25 mm
d1	50 mm
r min.	0,6 mm
r1 min.	0,3 mm
H	14 mm
L	35 mm
L1	10 mm
da min.	67 mm
db	49 mm
Weight	0,396 Kg
Dynamic load rating radial (C)	42,2 kN
Dynamic load rating axial (C)	43,3 kN
Static load rating radial (C0)	83,4 kN
Static load rating axial (C0)	148 kN
Category	Bearings
Inventory	0.0
Manufacturer Name	IKO



Bearing equipment manufacturing Co., Ltd

Minimum Buy Quantity	N/A
Weight / Kilogram	0
Product Group	B04144