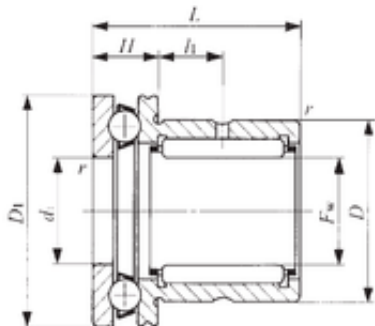




# Bearing equipment manufacturing Co., Ltd

## IKO NAX 4532Z complex bearings



Bearing No. NAX 4532Z

Bore Diameter	45 mm
Outer Diameter	58 mm
Fw	45 mm
D	58 mm
D1	65 mm
D2	66,5 mm
d1	45 mm
r min.	0,6 mm
H	14 mm
L	32 mm
L1	9 mm
da min.	57 mm
Weight	0,273 Kg
Dynamic load rating radial (C)	31 kN
Dynamic load rating axial (C)	27,9 kN
Static load rating radial (C0)	60,2 kN
Static load rating axial (C0)	55,1 kN

NAX 4532Z Bearing 2D drawings and 3D CAD models