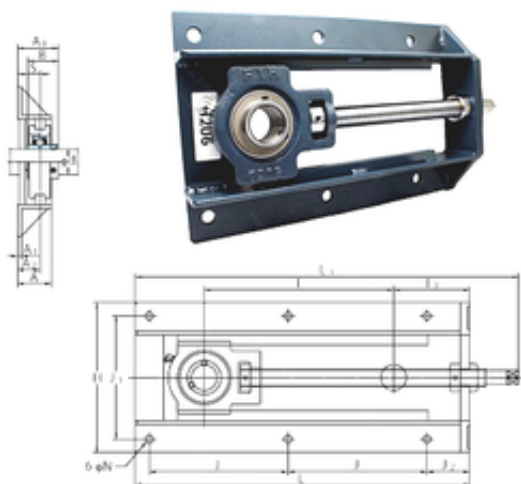




Bearing equipment manufacturing Co., Ltd



UCTH213-40-300 Bearing 2D drawings and 3D CAD models

FYH UCTH213-40-300 bearing units

Bearing No. UCTH213-40-300

Bore Diameter	63,5 mm
Width	178 mm
d	63,5 mm
A0	82,7 mm
T1	178 mm
A	65 mm
A1	6 mm
B	65,1 mm
H	332 mm
J	260 mm
L	609 mm
L1	713 mm
N	15 mm
S	25,4 mm
T	300 mm
Bolt (G)	M12
A2	43 mm
J1	260 mm
J2	67 mm
Weight	25,5 Kg
Basic dynamic load rating (C)	57,2 kN
Basic static load rating (C0)	40,1 kN