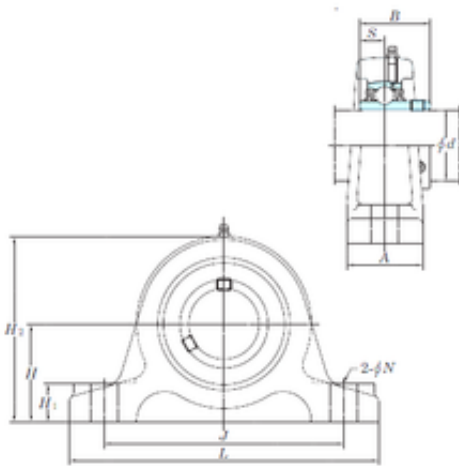




Bearing equipment manufacturing Co., Ltd

KOYO UCIP320-64 bearing units

Bearing No. UCIP320-64



UCIP320-64 Bearing 2D drawings and 3D CAD models

Bore Diameter	101,6 mm
Width	108 mm
d	101,6 mm
A	85 mm
B	108 mm
H	150 mm
H1	45 mm
H2	295 mm
J	360 mm
L	430 mm
N	29 mm
S	42 mm
Bolt (G)	M27
Weight	36,9 Kg
Basic dynamic load rating (C)	173 kN
Basic static load rating (C0)	141 kN