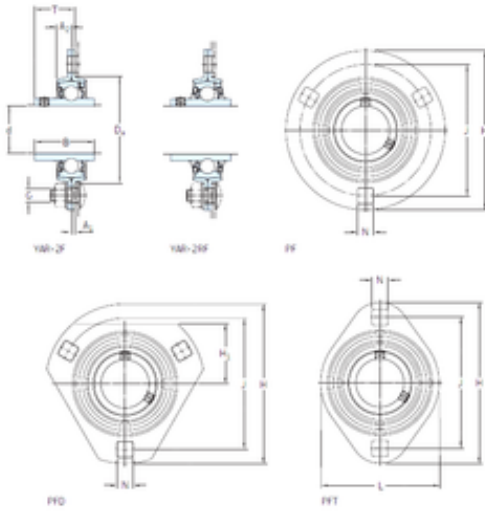




Bearing equipment manufacturing Co., Ltd



PFT 25 FM Bearing 2D drawings and 3D CAD models

SKF PFT 25 FM bearing units

Bearing No. PFT 25 FM

Bore Diameter	25 mm
d	25 mm
Da	60 mm
A1	2 mm
B1	31 mm
G	8 mm
H	95 mm
H1	– mm
J	76 mm
L	71 mm
N	8,7 mm
T	25,5 mm
A2	9 mm
Weight	0,29 Kg
Basic dynamic load rating (C)	14 kN
Basic static load rating (C0)	7,8 kN
Category	Bearings
Inventory	0.0
Manufacturer Name	SKF
Minimum Buy Quantity	N/A
Weight / Kilogram	0
Product Group	M06110
Housing material	Pressed steel
D _a min.	56 mm
A ₁	2 mm
A ₂	9 mm



Bearing equipment manufacturing Co., Ltd

B_1	31 mm
B_4	4.75 mm
s_1	23.5 mm
Basic dynamic load rating C	14 kN
Basic static load rating C_0	7.8 kN
Fatigue load limit P_u	0.335 kN
Limiting speed	7000 r/min
Mass bearing unit	0.29 kg
Thread grub screw G_2	M6x0.75
Hexagonal key size for grub screw N	3 mm
Recommended tightening torque for grub screw	4 N · m
Recommended diameter for attachment bolts, mm G	8 mm
Recommended diameter for attachment bolts, inch G	0.3125 in