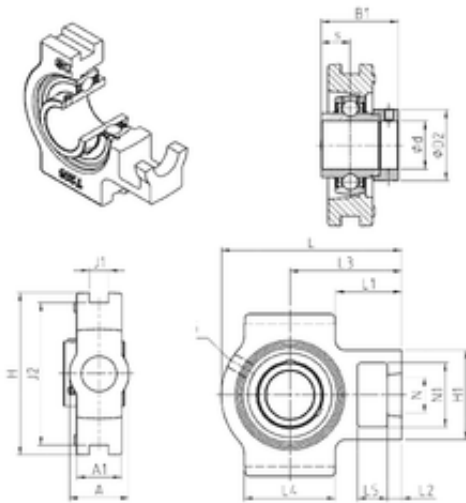




# Bearing equipment manufacturing Co., Ltd



## SNR EXT216 bearing units

Bearing No. EXT216

Bore Diameter	80 mm
d	80 mm
L4	121 mm
L5	32 mm
L2	21 mm
L3	140 mm
s	37,3 mm
A	70 mm
A1	51 mm
B1	95,2 mm
D2	110 mm
H	184 mm
H1	111 mm
L	235 mm
L1	79,5 mm
N	41 mm
N1	70 mm
Thread (G)	M10x1
J1	26 mm
J2	165 mm
Weight	8,6 Kg
Basic dynamic load rating (C)	72,5 kN
A2	51 mm
B	74.6 mm
A5	37.3 mm
d1	110 mm

EXT216 Bearing 2D drawings and 3D CAD models



## Bearing equipment manufacturing Co., Ltd

G	M10x1
H2	111 mm
N2	70 mm
s1	64.3 mm
S	37.3 mm
SW	6 mm
C	72.5 kN
C0	54.2 kN
T min.	-20 ° C
T max.	100 ° C
Recommended tightening torque for set screw	33 Nm
Designation of housing	T216-
Designation of bearing	EX216G2