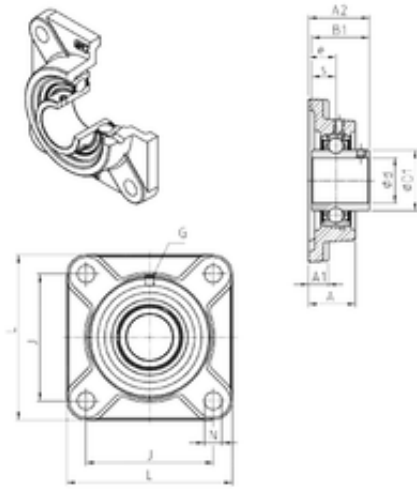




Bearing equipment manufacturing Co., Ltd



SNR UCF322 bearing units

Bearing No. UCF322

Bore Diameter	110 mm
d	110 mm
e	60 mm
s	46 mm
A	96 mm
A1	35 mm
B1	117 mm
D1	149 mm
J	266 mm
L	340 mm
N	41 mm
Thread (G)	M10x1
A2	131 mm
Weight	39,3 Kg
Basic dynamic load rating (C)	205 kN

UCF322 Bearing 2D drawings and 3D CAD models