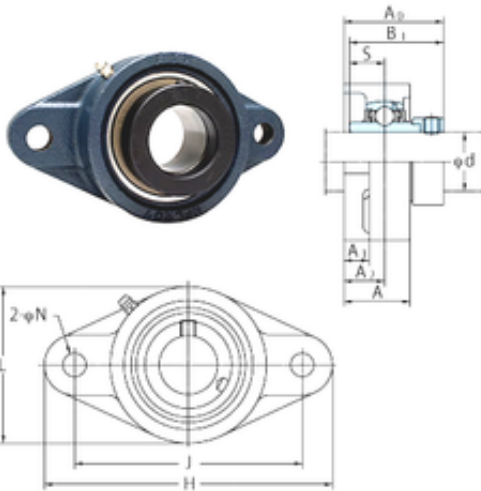




Bearing equipment manufacturing Co., Ltd



FYH NANFL208-25 bearing units

Bearing No. NANFL208-25

Bore Diameter	39,6875 mm
d	39,6875 mm
A0	58,9 mm
A	39 mm
A1	14 mm
B1	56,3 mm
H	175 mm
J	143,7 mm
L	100 mm
N	13 mm
S	21,4 mm
Bolt (G)	7/16
A2	24 mm
Weight	2 Kg
Basic dynamic load rating (C)	29,1 kN
Basic static load rating (C0)	17,8 kN

NANFL208-25 Bearing 2D drawings and 3D CAD models