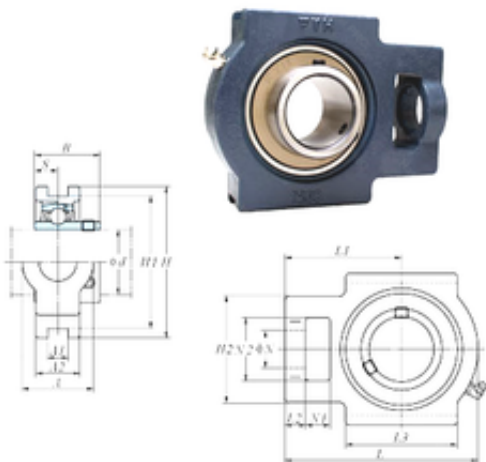




Bearing equipment manufacturing Co., Ltd

FYH UCT311-32 bearing units

Bearing No. UCT311-32



UCT311-32 Bearing 2D drawings and 3D CAD models

Bore Diameter	50,8 mm
d	50,8 mm
L2	21 mm
L3	115 mm
A	66 mm
A1	22 mm
B	66 mm
H	163 mm
H1	150 mm
H2	105 mm
L	207 mm
L1	127 mm
N	39 mm
N1	29 mm
S	25 mm
A2	44 mm
N2	66 mm
Weight	6,1 Kg
Basic dynamic load rating (C)	71,6 kN
Basic static load rating (C0)	45 kN