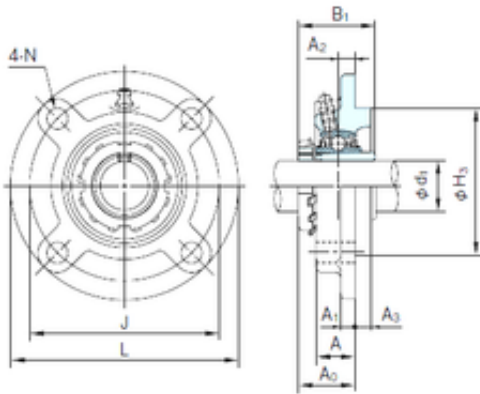




Bearing equipment manufacturing Co., Ltd

NACHI UKFC207+H2307 bearing units

Bearing No. UKFC207+H2307



UKFC207+H2307 Bearing 2D drawings and 3D CAD models

Bore Diameter	30 mm
d1	30 mm
H3	90 mm
A0	33.5 mm
A	26 mm
A1	9 mm
B1	43 mm
J	110 mm
L	135 mm
N	14 mm
Bolt (G)	M12
A2	11 mm
A3	8 mm