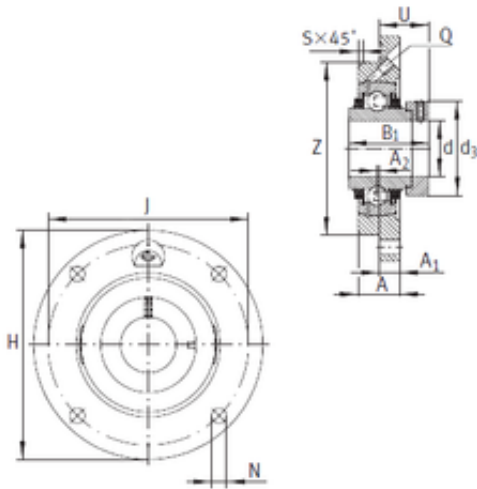




# Bearing equipment manufacturing Co., Ltd



TME80 Bearing 2D drawings and 3D CAD models

## INA TME80 bearing units

Bearing No. TME80

Bore Diameter	80 mm
d	80 mm
U	49,3 mm
Thread (Q)	Rp1/8
Z	160 mm
d3	108 mm
A	31 mm
A1	18 mm
B1	70,7 mm
H	220 mm
J	184 mm
N	18 mm
S	6 mm
A2	2 mm
Weight	5,51 Kg
Basic dynamic load rating (C)	72 kN
Category	Flange Block Bearings
Inventory	0.0
Manufacturer Name	SCHAEFFLER GROUP
Minimum Buy Quantity	N/A
Weight / Kilogram	7.017
EAN	4012802817348
Product Group	M06110
Number of Mounting Holes	4
Mounting Method	Eccentric Collar
Housing Style	4 Bolt Round Flange



## Bearing equipment manufacturing Co., Ltd

	Cartridge
Rolling Element	Ball Bearing
Housing Material	Cast Iron
Expansion / Non-expansion	Non-expansion
Mounting Bolts	18 Millimeter
Relubricatable	Yes
Insert Part Number	GE80KPPB3
Seals	Double Triply
Housing Configuration	1 Piece Solid
Pilot Configuration	With Pilot
Inch - Metric	Metric
Long Description	4 Bolt Round Flange Cartridge; 80MM Bore; 184MM Bolt Circle; 130.1MM Bolt Spacing; 1 Piece Solid; Eccentric Collar Mount; Cast Iron; Ball Bearing; 71MM Length Thru Bore; Relubricatable; Double Triply
Other Features	Single Row   Centering Spigot   With Set Screw
Category	Flange Block
UNSPSC	31171501
Harmonized Tariff Code	8483.20.40.40
Noun	Bearing
Keyword String	Flanged
Manufacturer URL	<a href="http://www.ina.com">http://www.ina.com</a>
Manufacturer Item Number	TME80
Weight / LBS	12.679
Length Thru Bore	2.795 Inch   71 Millimeter
Bore	3.15 Inch   80 Millimeter
Cartridge Pilot Diameter	6.299 Inch   160 Millimeter
Cartridge Pilot Depth	0.276 Inch   7 Millimeter
Nominal Bolt Circle	7.2 Inch   184 Millimeter



## Bearing equipment manufacturing Co., Ltd

Diameter Round	
Bolt Spacing	5.122 Inch   130.1 Millimeter