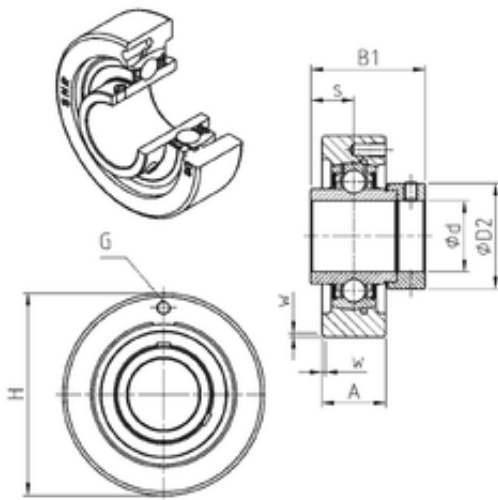




Bearing equipment manufacturing Co., Ltd



EXC320 Bearing 2D drawings and 3D CAD models

SNR EXC320 bearing units

Bearing No. EXC320

Bore Diameter	100 mm
d	100 mm
s	50 mm
A	75 mm
B1	128,6 mm
D2	146 mm
H	260 mm
W	4 mm
Thread (G)	M10x1
Weight	21 Kg
Basic dynamic load rating (C)	171,6 kN
B	100 mm
A3	4 mm
A5	50 mm
d1	146 mm
G	M10x1
s1	86.5 mm
S	50 mm
SW	10 mm
C	171.6 kN
C0	140 kN
T min.	-20 ° C
T max.	100 ° C
Recommended tightening torque for set screw	120 Nm
Designation of housing	C320-



Bearing equipment manufacturing Co., Ltd

Designation of bearing	EX320G2
------------------------	---------