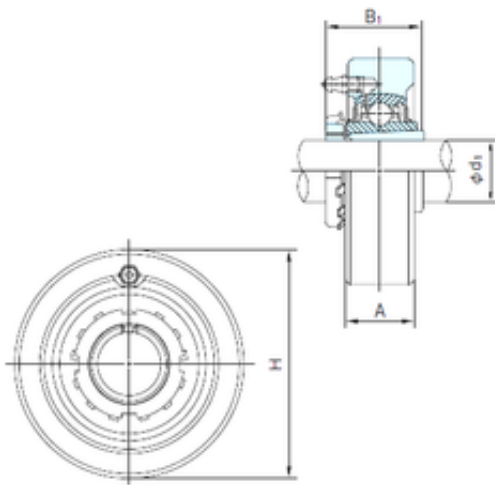




Bearing equipment manufacturing Co., Ltd



NACHI UKC316+H2316 bearing units

Bearing No. UKC316+H2316

Bore Diameter	70 mm
Width	200 mm
d	70 mm
A	60 mm
B1	78 mm
H	200 mm

UKC316+H2316 Bearing 2D drawings and 3D CAD models