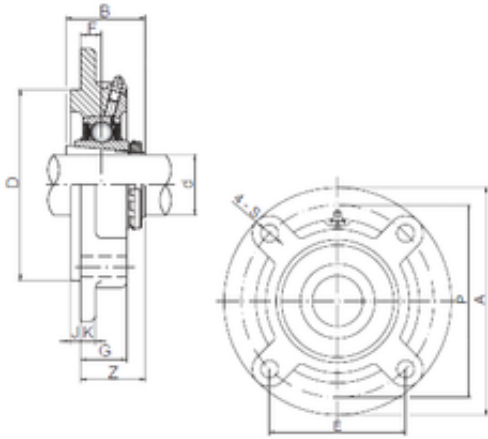




Bearing equipment manufacturing Co., Ltd

25 mm x 80 mm x 38 mm ISO UKFC206
bearing units



Bearing No. UKFC206

Bore Diameter	25 mm
d	25 mm
P	100 mm
Z	31 mm
A	125 mm
B	38 mm
D	80 mm
E	70,7 mm
F	10 mm
G	23 mm
J	8 mm
K	8 mm
S	12 mm
Bolt (G)	M10

UKFC206 Bearing 2D drawings and 3D CAD models