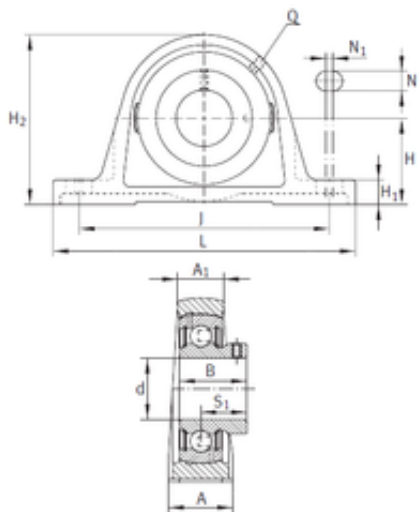




Bearing equipment manufacturing Co., Ltd



INA PASEY3/4 bearing units

Bearing No. PASEY3/4

Bore Diameter	19.05 mm
d	19.05 mm
S1	18,009 mm
Thread (Q) - 1/4-28 UNF	1/428 UNF
A	32,004 mm
A1	19,99 mm
B	24,994 mm
H	33,3 mm
H1	14,504 mm
H2	64,288 mm
J	96,012 mm
L	130 mm
N	10,999 mm
N1	8,992 mm

PASEY3/4 Bearing 2D drawings and 3D CAD models