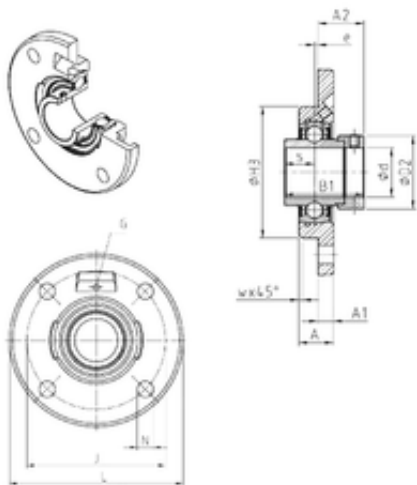




# Bearing equipment manufacturing Co., Ltd



## SNR EXFCE218 bearing units

Bearing No. EXFCE218

Bore Diameter	90 mm
d	90 mm
H3	190 mm
e -	4
s	24,5 mm
A	37 mm
A1	22,5 mm
B1	72,5 mm
D2	120 mm
J	220 mm
L	265 mm
N	23 mm
W	3 mm
Thread (G)	R1/8"
A2	50,5 mm
Weight	10 Kg
Basic dynamic load rating (C)	96 kN

EXFCE218 Bearing 2D drawings and 3D CAD models