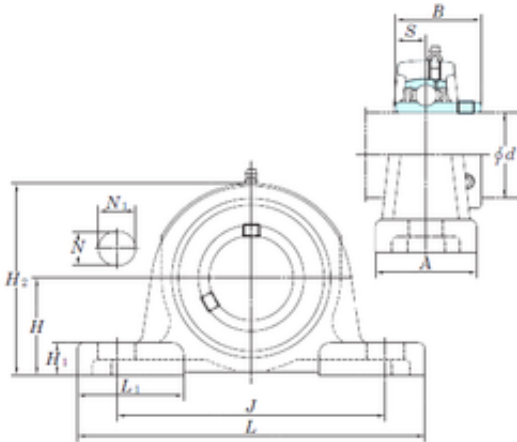




Bearing equipment manufacturing Co., Ltd

KOYO UCP314 bearing units

Bearing No. UCP314



UCP314 Bearing 2D drawings and 3D CAD models

Bore Diameter	70 mm
Width	78 mm
d	70 mm
A	90 mm
B	78 mm
H	95 mm
H1	35 mm
H2	186 mm
J	280 mm
L	360 mm
L1	110 mm
N	27 mm
N1	40 mm
S	33 mm
Bolt (G)	M22
Weight	12,4 Kg
Basic dynamic load rating (C)	104 kN
Basic static load rating (C0)	68,2 kN
Bearing No.	UCP314
Bolt size	M22
Cr	104
C0r	68.2
f0	13.2
(Refer.)Unit mass(kg)	12.4
Nipple size	R1/8