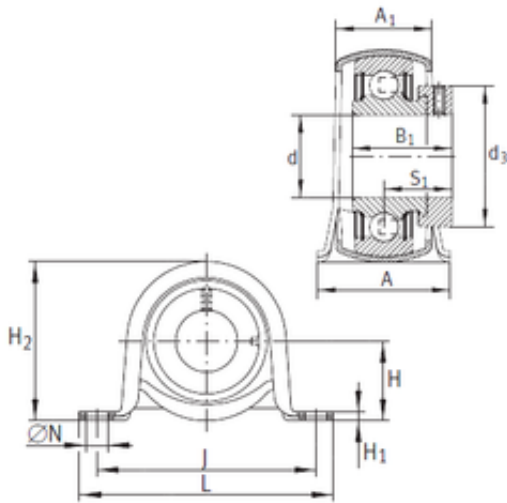




Bearing equipment manufacturing Co., Ltd



PB17 Bearing 2D drawings and 3D CAD models

INA PB17 bearing units

Bearing No. PB17

Bore Diameter	17 mm
d	17 mm
S1	22,1 mm
d3	28 mm
A	25,4 mm
A1	18,4 mm
B1	28,6 mm
H	22,2 mm
H1	2,6 mm
H2	43,2 mm
J	68 mm
L	85,7 mm
N	9,5 mm
Category	Bearings
Inventory	0.0
Manufacturer Name	SCHAEFFLER GROUP
Minimum Buy Quantity	N/A
Weight / Kilogram	0.17
Product Group	M06110