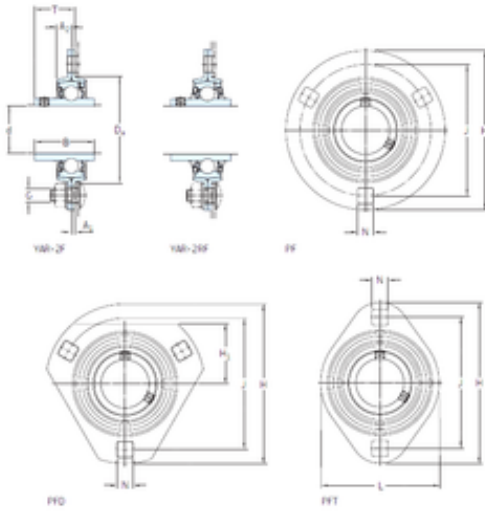




Bearing equipment manufacturing Co., Ltd



SKF PF 30 TR bearing units

Bearing No. PF 30 TR

Bore Diameter	30 mm
Width	38,1 mm
d	30 mm
Da	71 mm
A1	2,5 mm
B	38,1 mm
G	10 mm
H	112 mm
H1	– mm
J	90,5 mm
L	–
N	10,5 mm
T	24,7 mm
A2	9,5 mm
Weight	0,58 Kg
Basic dynamic load rating (C)	19,5 kN
Basic static load rating (C0)	11,2 kN
Housing material	Pressed steel
A ₁	2.5 mm
A ₂	9.5 mm
B ₄	5 mm
D _a min.	67 mm
s ₁	22.2 mm
Basic dynamic load rating C	19.5 kN
Basic static load rating C ₀	11.2 kN
Fatigue load limit P _u	0.475 kN

PF 30 TR Bearing 2D drawings and 3D CAD models



Bearing equipment manufacturing Co., Ltd

Permissible radial housing load max.	5 kN
Mass unit	0.58 kg
Thread grub screw G ₂	M6x0.75
Hexagonal key size for grub screw N	3 mm
Recommended tightening torque for grub screw	4 N · m
Recommended diameter for attachment bolts, mm G	10 mm
Recommended diameter for attachment bolts, inch G	0.375 in
Bearing	YAR 206-2RF
Housing	PF 62