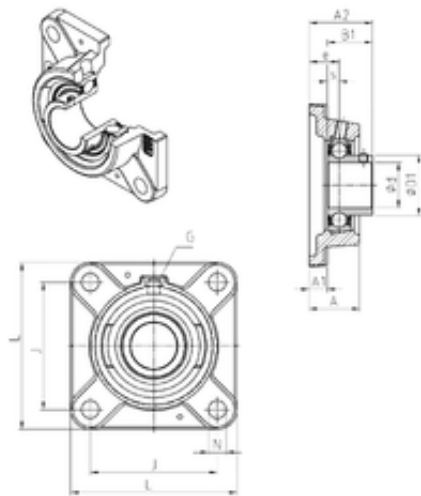




# Bearing equipment manufacturing Co., Ltd



## SNR USFE206 bearing units

Bearing No. USFE206

Bore Diameter	30 mm
d	30 mm
e	20 mm
s	8 mm
A	33,5 mm
A1	12 mm
B1	30 mm
D1	40,3 mm
J	82,5 mm
L	108 mm
N	11,5 mm
Thread (G)	R1/8"
A2	42 mm
Weight	1,1 Kg
Basic dynamic load rating (C)	19,5 kN

USFE206 Bearing 2D drawings and 3D CAD models