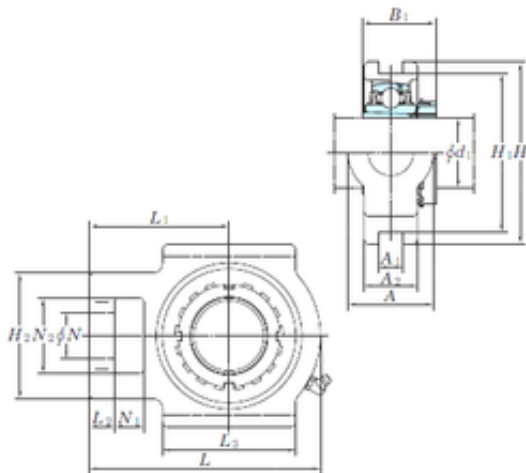




Bearing equipment manufacturing Co., Ltd



KOYO UKT317 bearing units

Bearing No. UKT317

Bore Diameter	76,2 mm
d	76,2 mm
L2	30 mm
L3	170 mm
A	102 mm
A1	32 mm
B1	82 mm
H	240 mm
H1	214 mm
H2	152 mm
L	298 mm
L1	183 mm
N	53 mm
N1	42 mm
A2	64 mm
N2	98 mm
Weight	18,9 Kg
Basic dynamic load rating (C)	133 kN
Basic static load rating (C0)	96,8 kN

UKT317 Bearing 2D drawings and 3D CAD models