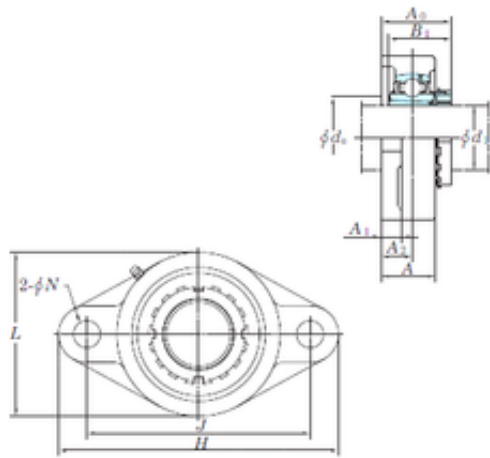




# Bearing equipment manufacturing Co., Ltd



## KOYO UKFL308 bearing units

Bearing No. UKFL308

Bore Diameter	35 mm
d	35 mm
A0	50,5 mm
A	40 mm
A1	17 mm
B1	46 mm
H	200 mm
J	158 mm
L	112 mm
N	23 mm
Bolt (G)	M20
A2	23 mm
Weight	2,5 Kg
Basic dynamic load rating (C)	40,7 kN
Basic static load rating (C0)	24 kN

UKFL308 Bearing 2D drawings and 3D CAD models