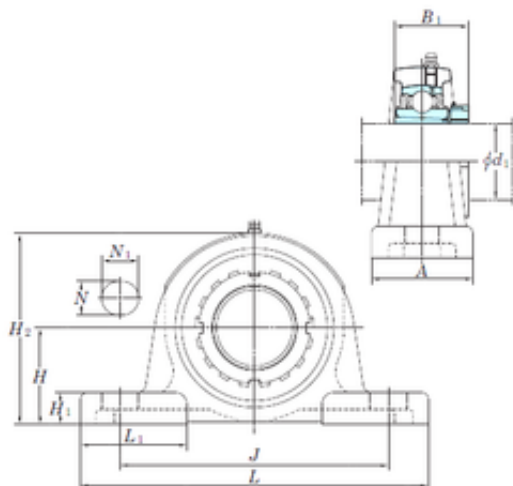




Bearing equipment manufacturing Co., Ltd



UKP315 Bearing 2D drawings and 3D CAD models

KOYO UKP315 bearing units

Bearing No. UKP315

Bore Diameter	65 mm
Width	100 mm
d	65 mm
A	100 mm
B1	73 mm
H	100 mm
H1	35 mm
H2	198 mm
J	290 mm
L	380 mm
L1	107 mm
N	27 mm
N1	40 mm
Bolt (G)	M22
Weight	14,9 Kg
Basic dynamic load rating (C)	113 kN
Basic static load rating (C0)	77,2 kN
Bearing No.	UKP315
Bolt size	M22
Cr	113
C0r	77.2
f0	13.2
B	73
S	14.9
(Refer.)Unit mass(kg)	R1/8