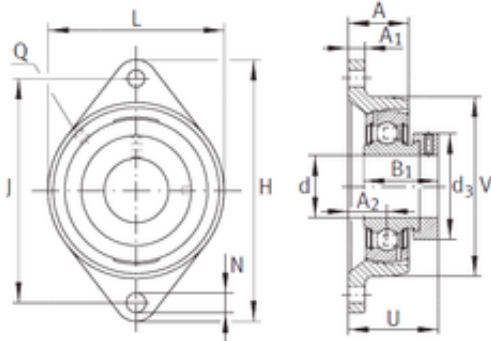




Bearing equipment manufacturing Co., Ltd

INA PCJT1-7/16 bearing units



PCJT1-7/16 Bearing 2D drawings and 3D CAD models

Bearing No. PCJT1-7/16

Bore Diameter	36,513 mm
d	36,513 mm
V	92,507 mm
U	50,495 mm
Thread (Q)	1/8 NPT
d3	51,003 mm
A	34,493 mm
A1	13,995 mm
B	38,989 mm
H	156,007 mm
J	129,997 mm
L	92,507 mm
N	13,995 mm
A2	21,006 mm
Category	Flange Block Bearings
Inventory	0.0
Manufacturer Name	SCHAEFFLER GROUP
Minimum Buy Quantity	N/A
Weight / Kilogram	1.7
Product Group	M06110
Number of Mounting Holes	2
Mounting Method	Eccentric Collar
Housing Style	2 Bolt Flange Block
Rolling Element	Ball Bearing
Housing Material	Cast Iron
Expansion / Non-expansion	Non-expansion



Bearing equipment manufacturing Co., Ltd

Mounting Bolts	27/49 Inch
Relubricatable	Yes
Insert Part Number	GRA107NPPB
Seals	Double Lip Contact
Housing Configuration	1 Piece Solid
Pilot Configuration	No Pilot
Inch - Metric	Inch
Long Description	2 Bolt Flange Block; 1-7/16" Bore; 5.1" Bolt Circle; 5.118" Bolt Spacing; 1 Piece Solid; Eccentric Collar Mount; Cast Iron; Ball Bearing; 1-17/32" Length Thru Bore; Relubricatable;
Other Features	Single Row With Set Screw
Category	Flange Block
UNSPSC	31171501
Harmonized Tariff Code	8483.20.40.40
Noun	Bearing
Keyword String	Flanged
Manufacturer URL	http://www.ina.com
Manufacturer Item Number	PCJT1-7/16
Weight / LBS	2.867
Bore	1.438 Inch 36.525 Millimeter
Cartridge Pilot Depth	0 Inch 0 Millimeter
Bolt Spacing	5.118 Inch 130 Millimeter
Length Thru Bore	1.532 Inch 38.913 Millimeter
Nominal Bolt Circle Diameter Round	5.1 Inch 130 Millimeter
Cartridge Pilot Diameter	0 Inch 0 Millimeter