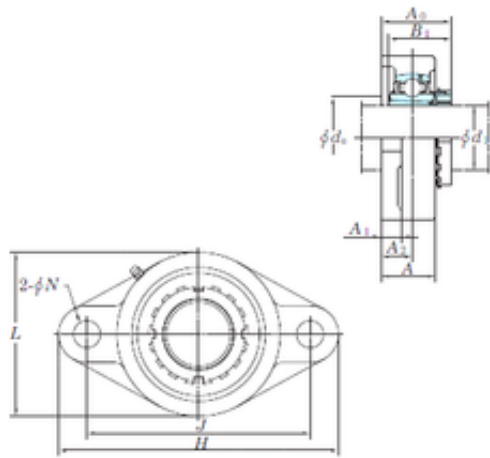




Bearing equipment manufacturing Co., Ltd



KOYO UKFL326 bearing units

Bearing No. UKFL326

Bore Diameter	115 mm
d	115 mm
A0	131,5 mm
A	115 mm
A1	50 mm
B1	121 mm
H	550 mm
J	460 mm
L	360 mm
N	47 mm
Bolt (G)	M42
A2	65 mm
Weight	61,4 Kg
Basic dynamic load rating (C)	229 kN
Basic static load rating (C0)	214 kN

UKFL326 Bearing 2D drawings and 3D CAD models