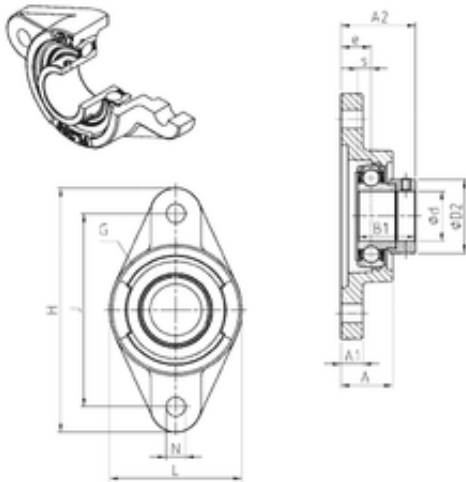




# Bearing equipment manufacturing Co., Ltd



## SNR ESFL212 bearing units

Bearing No. ESFL212

Bore Diameter	60 mm
d	60 mm
e	29 mm
s	12 mm
A	48 mm
A1	18 mm
B1	49,3 mm
D2	84,2 mm
H	250 mm
J	202 mm
L	140 mm
N	23 mm
Thread (G)	M6x1
A2	66,3 mm
Weight	3,5 Kg
Basic dynamic load rating (C)	52,5 kN

ESFL212 Bearing 2D drawings and 3D CAD models