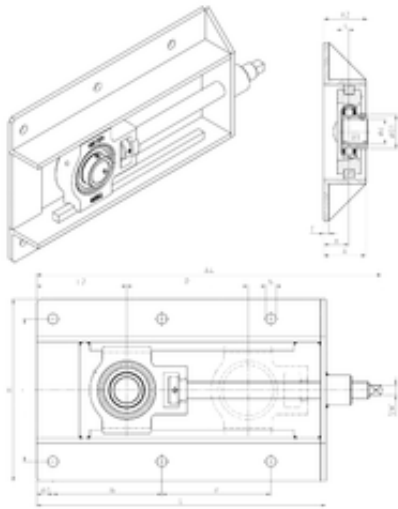




Bearing equipment manufacturing Co., Ltd



SNR UST210+WB bearing units

Bearing No. UST210+WB

Bore Diameter	50 mm
d	50 mm
A4	593 mm
P	300 mm
e	30 mm
L2	108 mm
s	10,9 mm
SW	15 mm
A	50 mm
B1	43,5 mm
D1	61,8 mm
H	233 mm
J	192 mm
L	520 mm
M	219 mm
M1	22 mm
N	15 mm
T	6 mm
A2	62,6 mm
Weight	12 Kg
Basic dynamic load rating (C)	35,1 kN
A1	16 mm
B	43.5 mm
A5	32.6 mm
G	M6x1
H1	102 mm

UST210+WB Bearing 2D drawings and 3D CAD models



Bearing equipment manufacturing Co., Ltd

H2	83 mm
L1	90 mm
L3	86 mm
N1	19 mm
N2	49 mm
s1	21.75 mm
S	10.9 mm
C	35.1 kN
C0	23.2 kN
T min.	-20 ° C
T max.	100 ° C
Recommended tightening torque for set screw	11.5 Nm
Designation of housing	T210-
Designation of bearing	US210G2