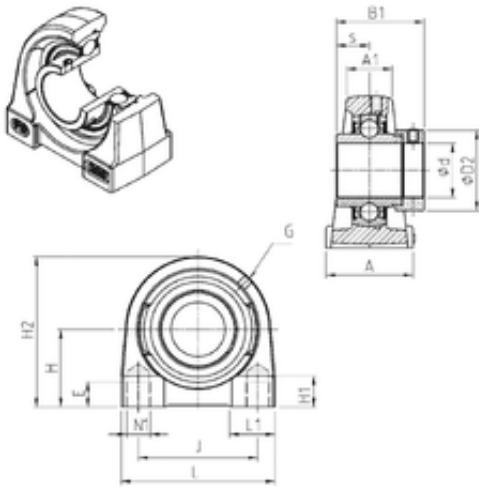




Bearing equipment manufacturing Co., Ltd



SNR EXPG208 bearing units

Bearing No. EXPG208

Bore Diameter	40 mm
d	40 mm
s	21,4 mm
A	54 mm
A1	30 mm
B1	56,3 mm
D2	60,3 mm
E	22 mm
H	49,2 mm
H1	20 mm
H2	98 mm
J	78 mm
L	110 mm
L1	35 mm
Thread (G)	M6x1
Thread (N1)	M12
Weight	2 Kg
Basic dynamic load rating (C)	29,6 kN

EXPG208 Bearing 2D drawings and 3D CAD models