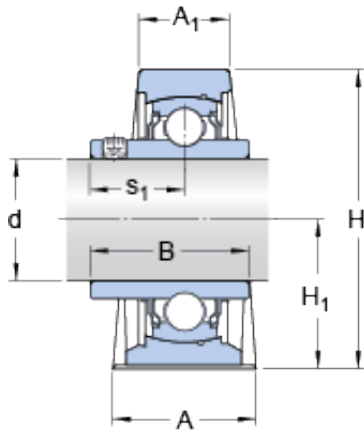




Bearing equipment manufacturing Co., Ltd



SY 1.15/16 TF/VA201 Bearing 2D drawings and 3D CAD models

SKF SY 1.15/16 TF/VA201 bearing units

Bearing No. SY 1.15/16 TF/VA201

Size	54x49.213x37 mm
Bore Diameter	54 mm
Outer Diameter	49,213 mm
Width	37 mm
d	49.213 mm
A	54 mm
A ₁	37 mm
H	114 mm
H ₁	57.2 mm
H ₂	22 mm
L	203 mm
J	157 mm
H	26 mm
N ₁	18 mm
B	51.6 mm
s ₁	32.6 mm
Basic dynamic load rating - C	35.1 kN
Basic static load rating - C ₀	23.2 kN
Limiting speed	60 r/min
Limiting temperature - T	250 ° C
Mass bearing unit	2.78 kg
Grub (set) screw - G ₂ - 3/8-24 UNF	3/824 UNF
Hexagonal key size for grub screw - H	4.762 mm



Bearing equipment manufacturing Co., Ltd

Recommended tightening torque for grub screw	16.5 N · m
Category	Bearings
Inventory	0.0
Manufacturer Name	SKF
Minimum Buy Quantity	N/A
Weight / Kilogram	0
Product Group	M06110
A ₁	37 mm
H ₁	57.2 mm
H ₂	22 mm
N	26 mm
N ₁	18 mm
s ₁	32.6 mm
Basic dynamic load rating C	35.1 kN
Basic static load rating C ₀	23.2 kN
Limiting temperature T max.	250 ° C
Grub (set) screw G ₂	3/8-24 UNF
Hexagonal key size for grub screw N	4.763 mm
Attachment bolts, recommended metric size G	16 mm