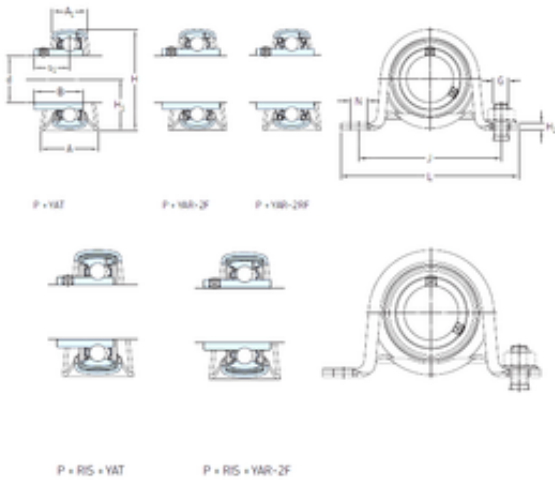




Bearing equipment manufacturing Co., Ltd



SKF P 30 FM bearing units

Bearing No. P 30 FM

Bore Diameter	30 mm
d	30 mm
s ₁	26,7 mm
A	38 mm
A ₁	25 mm
B ₁	35,7 mm
G	10 mm
H	66 mm
H ₁	32,9 mm
H ₂	4 mm
J	95 mm
L	119 mm
N	11,2 mm
Weight	0,45 Kg
Basic dynamic load rating (C)	19,5 kN
Basic static load rating (C ₀)	11,2 kN
Housing material	Pressed steel
A ₁	25 mm
B ₁	35.7 mm
H ₁	33 mm
H ₂	4 mm
s ₁	26.7 mm
Basic dynamic load rating C	19.5 kN
Basic static load rating C ₀	11.2 kN
Fatigue load limit P _u	0.475 kN
Permissible radial housing	2.6 kN

P 30 FM Bearing 2D drawings and 3D CAD models



Bearing equipment manufacturing Co., Ltd

load max.	
Limiting speed	6300 r/min
Mass bearing unit	0.47 kg
Thread grub screw G ₂	M8x1
Hexagonal key size for grub screw N	4 mm
Recommended tightening torque for grub screw	6.5 N · m
Recommended diameter for attachment bolts, mm G	10 mm
Recommended diameter for attachment bolts, inch G	0.375 in
Housing	P 62
Bearing	YET 206