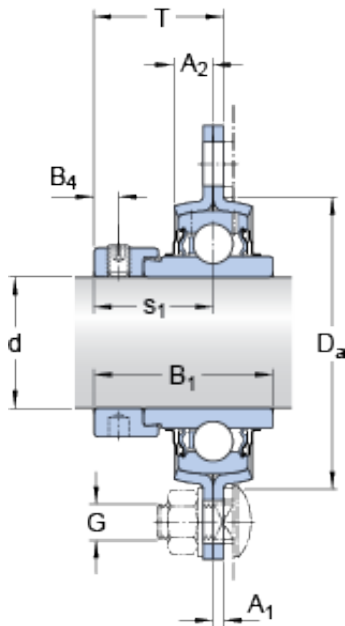




Bearing equipment manufacturing Co., Ltd



PF 50 WF Bearing 2D drawings and 3D CAD models

SKF PF 50 WF bearing units

Bearing No. PF 50 WF

Size	50x4x11 mm
Bore Diameter	50 mm
Outer Diameter	4 mm
Width	11 mm
d	50 mm
A ₁	4 mm
A ₂	11 mm
B	49.2 mm
B ₄	6.75 mm
D _a - min.	98 mm
J	127 mm
H	155 mm
H	13.5 mm
s ₁	38.1 mm
T	42.1 mm
Basic dynamic load rating - C	35.1 kN
Basic static load rating - C ₀	23.2 kN
Fatigue load limit - P _u	0.98 kN
Permissible radial housing load	max. 9 kN
Weight	1.7 kg
Thread - G ₂	M10x1
Hexagonal key size for grub screw - H	5 mm
Housing material	Pressed steel



Bearing equipment manufacturing Co., Ltd

A ₁	4 mm
A ₂	11 mm
B ₄	6.75 mm
D _a min.	98 mm
N	13.5 mm
s ₁	38.1 mm
Basic dynamic load rating C	35.1 kN
Basic static load rating C ₀	23.2 kN
Fatigue load limit P _u	0.98 kN
Permissible radial housing load max.	9 kN
Mass unit	1.7 kg
Thread grub screw G ₂	M10x1
Hexagonal key size for grub screw N	5 mm
Recommended tightening torque for grub screw	16.5 N · m
Recommended diameter for attachment bolts, mm G	12 mm
Recommended diameter for attachment bolts, inch G	0.5 in
Bearing	YEL 210-2F
Housing	PF 90