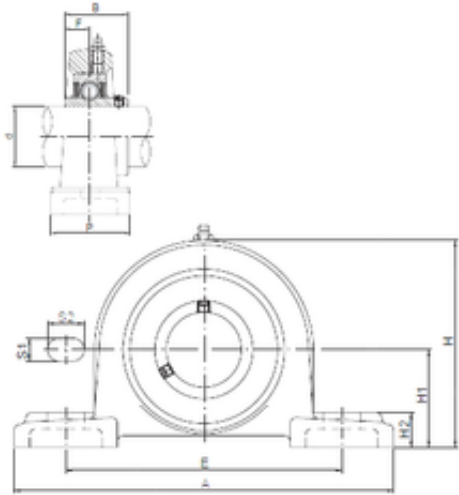




Bearing equipment manufacturing Co., Ltd



UCP217 Bearing 2D drawings and 3D CAD models

ISO UCP217 bearing units

Bearing No. UCP217

Bore Diameter	85 mm
d	85 mm
S1	25 mm
P	83 mm
A	310 mm
B	85,7 mm
E	247 mm
F	34,1 mm
H	185 mm
H1	95,2 mm
H2	32 mm
S2	28 mm
Bolt (G)	M20