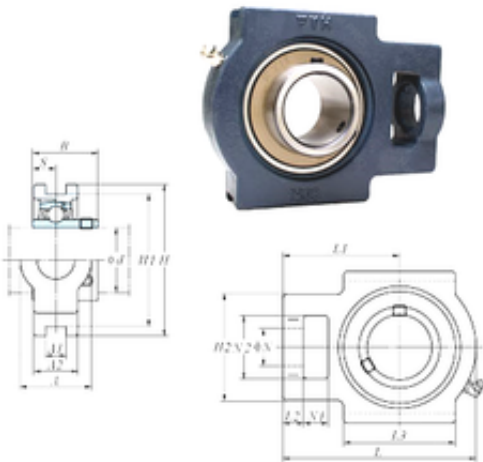




Bearing equipment manufacturing Co., Ltd

FYH UCT322 bearing units

Bearing No. UCT322



UCT322 Bearing 2D drawings and 3D CAD models

Bore Diameter	110 mm
d	110 mm
L2	38 mm
L3	215 mm
A	130 mm
A1	38 mm
B	117 mm
H	320 mm
H1	285 mm
H2	185 mm
L	385 mm
L1	235 mm
N	65 mm
N1	52 mm
S	46 mm
A2	80 mm
N2	125 mm
Weight	39,7 Kg
Basic dynamic load rating (C)	205 kN
Basic static load rating (C0)	180 kN
Category	Mounted Units & Inserts
Inventory	0.0
Manufacturer Name	FYH BEARING UNITS
Minimum Buy Quantity	N/A
Weight / Kilogram	0
Product Group	M06110



Bearing equipment manufacturing Co., Ltd