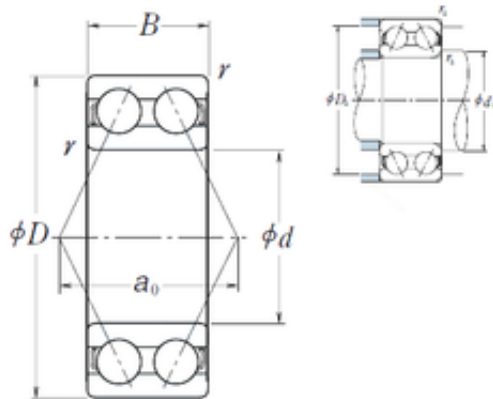




## Bearing equipment manufacturing Co., Ltd



35 mm x 80 mm x 34,9 mm NSK 5307 angular contact ball bearings

Bearing No. 5307

5307 Bearing 2D drawings and 3D CAD models

Size	35x80x34.9 mm
Bore Diameter	35 mm
Outer Diameter	80 mm
Width	34,9 mm
d	35 mm
D	80 mm
B	34,9 mm
C	34,9 mm
a	41,6 mm
r min.	1,5 mm
da min.	44 mm
da max	71 mm
ra max.	1,5 mm
Weight	0,79 Kg
Basic dynamic load rating (C)	51 kN
Basic static load rating (C0)	36 kN
(Grease) Lubrication Speed	5 600 r/min
bore diameter:	35 mm
bore type:	Round
outside diameter:	80 mm
snap ring included:	Without Snap Ring
overall width:	1.3750 in
finish/coating:	Uncoated
row type & fill slot:	Double-Row Non-Fill Slot
series:	5300



## Bearing equipment manufacturing Co., Ltd

SRI	7.02
hidYobi	5307
LangID	1
D_	80
SREX	0.025
B_	34.9
hidTable	ecat_NSANGBD
Oil rpm	7500
SRE	7.02
mass	0.79
GRS rpm	5600
ra	1.5
SRIX	0.025
D_a	71
SRIN	0
C0	36
SREN	0
DE_	71.047
Prod_Type3	ACBB_DR_A
da	44
DA_	13.494
Z_	8
ALP	50
yobi	5307
ao	41.6
SDM_	57.5
r	1.5
KBRG	1121
DI_	43.953