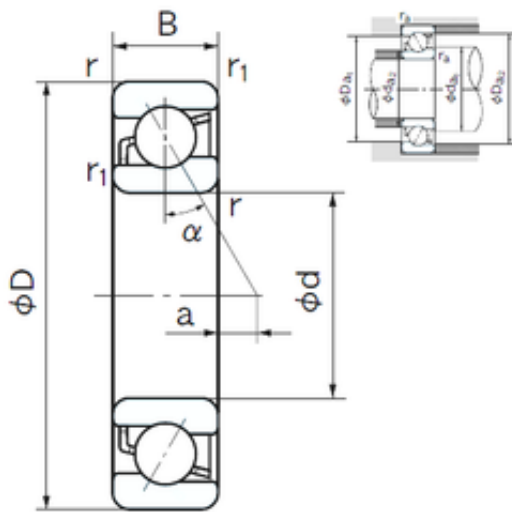




## Bearing equipment manufacturing Co., Ltd



7220 Bearing 2D drawings and 3D CAD models

100 mm x 180 mm x 34 mm NACHI 7220  
angular contact ball bearings

Bearing No. 7220

Size	100x180x34 mm
Bore Diameter	100 mm
Outer Diameter	180 mm
Width	34 mm
d	100 mm
D	180 mm
B	34 mm
C	34 mm
Angle ( ° )	30 °
a	23.4 mm
r min.	2.1 mm
r1 min.	1.1 mm
da min.	112 mm
Da max.	168 mm
ra max.	2 mm
Weight	3.32 Kg
Basic dynamic load rating (C)	144 kN
Basic static load rating (C0)	126 kN
(Grease) Lubrication Speed	3200 r/min
Configuration	Single Row
Enclosure	Open
Bore Type	Cylindrical Bore
Bore Size	100 mm
Outside Diameter	180 mm
Width	34 mm



## Bearing equipment manufacturing Co., Ltd

Fillet Radius/Chamfer	2.1 mm
r1	1.1 mm
Dynamic Load Rating	144,000 N
Static Load Rating	126,000 N
Limiting Speed - Grease	3,200 rpm
Limiting Speed - Oil	4,200 rpm
da1 (min)	112 mm
da2 (min)	107 mm
Da1 (max)	168 mm
Da2 (max)	173 mm
ra (max)	2 mm
ra1 (max)	1 mm