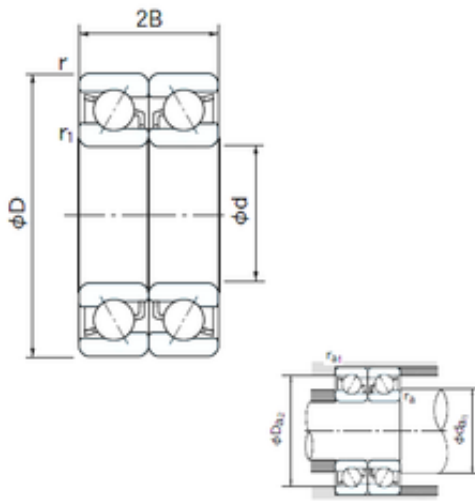




## Bearing equipment manufacturing Co., Ltd



160 mm x 340 mm x 68 mm NACHI 7332BDB  
angular contact ball bearings

Bearing No. 7332BDB

7332BDB Bearing 2D drawings and 3D CAD models

Size	160x340x68 mm
Bore Diameter	160 mm
Outer Diameter	340 mm
Width	68 mm
d	160 mm
D	340 mm
B	68 mm
C	68 mm
Angle ( ° )	40 °
a	70.9 mm
r min.	4 mm
r1 min.	1.5 mm
2B	136 mm
da min.	169 mm
Da max.	331 mm
ra max.	1.5 mm
Weight	30.2 Kg
Basic dynamic load rating (C)	530 kN
Basic static load rating (C0)	795 kN
(Grease) Lubrication Speed	1200 r/min
Bore Type	Cylindrical Bore
Enclosure	Open
Configuration	Duplex
Bore Size	160 mm
Outside Diameter	340 mm



## Bearing equipment manufacturing Co., Ltd

Width	68 mm
Fillet Radius/Chamfer	4 mm
r1	1.5 mm
Dynamic Load Rating	530,000 N
Static Load Rating	795,000 N
Limiting Speed - Grease	1,200 rpm
Limiting Speed - Oil	1,600 rpm
da1 (min)	178 mm
da2 (min)	169 mm
Da1 (max)	322 mm
Da2 (max)	331 mm
ra (max)	3 mm
ra1 (max)	1.5 mm