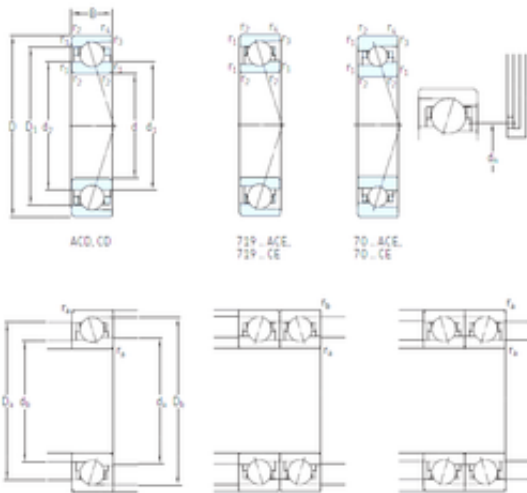




## Bearing equipment manufacturing Co., Ltd



### 85 mm x 110 mm x 13 mm SKF 71817 CD/HCP4 angular contact ball bearings

Bearing No. 71817 CD/HCP4

71817 CD/HCP4 Bearing 2D drawings and 3D CAD models

Size	85x110x13 mm
Bore Diameter	85 mm
Outer Diameter	110 mm
Width	13 mm
d	85 mm
D	110 mm
B	13 mm
C	13 mm
d1	93,2 mm
d2	93,2 mm
r1 min.	1 mm
r2 min.	1 mm
r3 min.	0,3 mm
r4 min.	0,3 mm
D1	102,1 mm
D2	– mm
da min.	89,6 mm
Da max.	105,4 mm
db min	89,6 mm
ra max.	1 mm
rb max.	0,3 mm
dh	94,1 mm
Db max	108 mm
Weight	0,24 Kg
Basic dynamic load rating (C)	21,6 kN



## Bearing equipment manufacturing Co., Ltd

Basic static load rating (C <sub>0</sub> )	25,5 kN
(Grease) Lubrication Speed	14 000 r/min
(Oil) Lubrication Speed	20 000 r/min
Fatigue load limit (P <sub>u</sub> )	1,08
d <sub>1</sub>	93.2 mm
d <sub>2</sub>	93.2 mm
D <sub>1</sub>	102.1 mm
r <sub>1,2</sub> min.	1 mm
r <sub>3,4</sub> min.	0.3 mm
a	19.6 mm
d <sub>a</sub> min.	89.6 mm
d <sub>b</sub> min.	89.6 mm
D <sub>a</sub> max.	105.4 mm
D <sub>b</sub> max.	108 mm
r <sub>a</sub> max.	1 mm
r <sub>b</sub> max.	0.3 mm
d <sub>n</sub>	94.1 mm
Basic dynamic load rating C	21.6 kN
Basic static load rating C <sub>0</sub>	25.5 kN
Fatigue load limit P <sub>u</sub>	1.08 kN
Attainable speed for grease lubrication	14000 r/min
Attainable speed for oil-air lubrication	20000 r/min
Ball diameter D <sub>w</sub>	7.144 mm
Number of balls z	30
Reference grease quantity G <sub>ref</sub>	2.7 cm <sup>3</sup>
Preload class A G <sub>A</sub>	115 N
Static axial stiffness, preload class A	88 N/ μ m
Preload class B G <sub>B</sub>	345 N
Static axial stiffness, preload class B	152 N/ μ m



## Bearing equipment manufacturing Co., Ltd

Preload class C $G_C$	690 N
Static axial stiffness, preload class C	224 N/ $\mu$ m
Calculation factor $f$	1.31
Calculation factor $f_1$	1
Calculation factor $f_{2A}$	1
Calculation factor $f_{2B}$	1.1
Calculation factor $f_{2C}$	1.18
Calculation factor $f_{HC}$	1.02
Calculation factor $f_0$	17.1
Mass bearing	0.24 kg