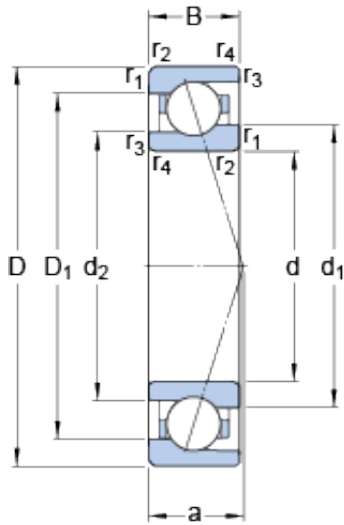




Bearing equipment manufacturing Co., Ltd



75 mm x 105 mm x 16 mm SKF 71915 ACE/HCP4A angular contact ball bearings

Bearing No. 71915 ACE/HCP4A

71915 ACE/HCP4A Bearing 2D drawings and 3D CAD models

Size	105x75x16 mm
Bore Diameter	105 mm
Outer Diameter	75 mm
Width	16 mm
d	75 mm
D	105 mm
B	16 mm
d ₁	84.3 mm
d ₂	81.8 mm
D ₁	95.52 mm
r _{1,2} - min.	1 mm
r _{3,4} - min.	0.3 mm
a	30.2 mm
d _a - min.	79.6 mm
d _b - min.	77 mm
D _a - max.	100.4 mm
D _b - max.	103 mm
r _a - max.	1 mm
r _b - max.	0.3 mm
d _n	86.5 mm
Basic dynamic load rating - C	21.2 kN
Basic static load rating - C ₀	16.3 kN
Fatigue load limit - P _u	0.68 kN
Limiting speed for grease	18500 r/min



Bearing equipment manufacturing Co., Ltd

Lubrication	
Limiting speed for oil lubrication	29000 mm/min
Ball - D_w	9.525 mm
Ball - z	23
G_{ref}	4.5 cm ³
Calculation factor - e	0.68
Calculation factor - Y_2	0.87
Calculation factor - Y_0	0.38
Calculation factor - X_2	0.41
Calculation factor - Y_1	0.92
Calculation factor - Y_2	1.41
Calculation factor - Y_0	0.76
Calculation factor - X_2	0.67
Preload class A - G_A	192 N
Preload class B - G_B	577 N
Preload class C - G_C	1150 N
Calculation factor - f	1.16
Calculation factor - f_1	0.98
Calculation factor - f_{2A}	1
Calculation factor - f_{2B}	1.04
Calculation factor - f_{2C}	1.08
Calculation factor - f_{HC}	1.01
Preload class A	152 N/micron
Preload class B	228 N/micron
Preload class C	299 N/micron
d_1	84.3 mm
d_2	81.8 mm
D_1	95.52 mm
$r_{1,2}$ min.	1 mm



Bearing equipment manufacturing Co., Ltd

$r_{3,4}$ min.	0.3 mm
d_a min.	79.6 mm
d_b min.	77 mm
D_a max.	100.4 mm
D_b max.	103 mm
r_a max.	1 mm
r_b max.	0.3 mm
d_n	86.5 mm
Basic dynamic load rating C	21.2 kN
Basic static load rating C_0	16.3 kN
Fatigue load limit P_u	0.68 kN
Attainable speed for grease lubrication	18500 r/min
Attainable speed for oil-air lubrication	29000 r/min
Ball diameter D_w	9.525 mm
Number of balls z	23
Reference grease quantity G_{ref}	4.5 cm ³
Preload class A G_A	192 N
Static axial stiffness, preload class A	152 N/ μ m
Preload class B G_B	577 N
Static axial stiffness, preload class B	228 N/ μ m
Preload class C G_C	1150 N
Static axial stiffness, preload class C	299 N/ μ m
Calculation factor f	1.16
Calculation factor f_1	0.98
Calculation factor f_{2A}	1
Calculation factor f_{2B}	1.04
Calculation factor f_{2C}	1.08
Calculation factor f_{HC}	1.01



Bearing equipment manufacturing Co., Ltd

Calculation factor e	0.68
Calculation factor (single, tandem) Y_2	0.87
Calculation factor (single, tandem) Y_0	0.38
Calculation factor (single, tandem) X_2	0.41
Calculation factor (back-to-back, face-to-face) Y_1	0.92
Calculation factor (back-to-back, face-to-face) Y_2	1.41
Calculation factor (back-to-back, face-to-face) Y_0	0.76
Calculation factor (back-to-back, face-to-face) X_2	0.67
Mass bearing	0.29 kg